

# Battery Temperature Sensor Installation Instructions

975-0193-01-01  
Revision B

A Battery Temperature Sensor (Xantrex Part #: 808-0232-01) can be installed on TrueCharge 2 battery chargers and on Freedom XC PRO inverter/chargers. Xantrex recommends the use of a Battery Temperature Sensor to provide optimal charging which helps extend battery lifetime. The label on the packaging box will show which Xantrex products are compatible with this battery temperature sensor.

## Installing Battery Temperature Sensor

**IMPORTANT:** Battery work and maintenance must be done by qualified personnel knowledgeable about batteries to ensure compliance with battery handling and maintenance safety precautions.

### **⚠ WARNING**

#### **BURN FROM HIGH SHORT-CIRCUIT CURRENT, FIRE AND EXPLOSION FROM VENTED GASES HAZARDS**

- Always wear proper, non-absorbent gloves, complete eye protection, and clothing protection. Avoid touching your eyes and wiping your forehead while working near batteries.
- Remove all personal metal items, like rings, bracelets, and watches when working with batteries.
- Never smoke or allow a spark or flame near the engine or batteries.

**Failure to follow these instructions can result in death or serious injury.**

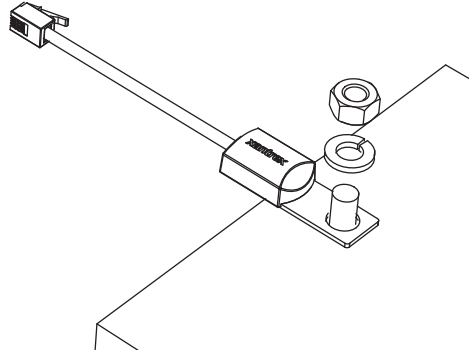
#### **To install a BTS:**

1. Switch off all devices operating from the battery.
2. Connect the ring terminal on the sensor directly to the negative battery stud, or use the adhesive backing on the sensor back to attach the sensor to any side of the battery to be monitored.

## Battery Temperature Sensor Installation Instructions

---

Xantrex recommends you mount the sensor directly on the battery stud as it will be more reliable against vibration and will provide a good thermal connection to the battery as well.



3. Route the sensor cable to the charger and plug it into the Bank 1 (default if using only one BTS), Bank 2 or Bank 3 connector on the rear panel. It may be advantageous to temporarily apply a layer of tape around the connector to protect its locking tab from catching on something during pulling and routing.

### Notice of Copyright

Battery Temperature Sensor Installation Instructions © September 2018 Schneider Electric. All Rights Reserved. All trademarks are owned by Schneider Electric Industries SAS or its affiliated companies.

### Warranty

This product has a 24 month limited warranty from the date of first sale which covers defects in workmanship and materials. Retain proof of purchase. For full details on this limited warranty visit our website at [www.xantrex.com](http://www.xantrex.com) or call 1-800-670-0707. It is important that you read the limited warranty as it restricts your legal rights. If you are not satisfied with the limited warranty you may return this product to Xantrex with 30 days of the date of purchase for a full refund.

### Date and Revision

September 2018 Revision B

### Part Number

975-0193-01-01

### Contact Information

Phone: 1 800 670 0707 (toll free North America)  
Fax: 1-800 994 7828 (toll free North America)  
Web: <http://www.xantrex.com/contacts>